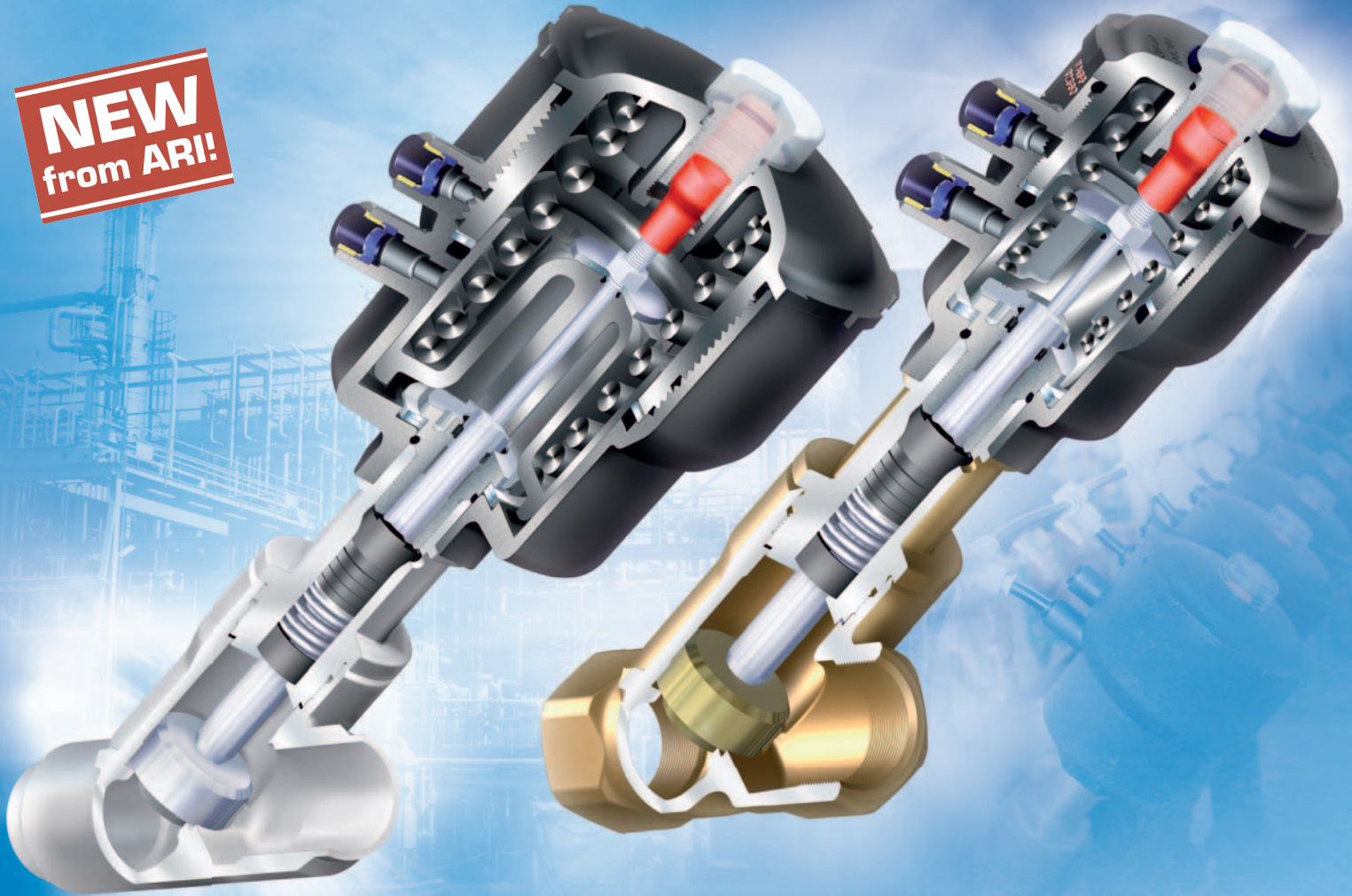


The pneumatic Y-pattern process valve: Up to 31% energy saving – Excellent value for money – Convenient handling – Reliable even at high differential pressures:

# STEVI® AS Stays tight for up to **1,000,000** strokes!

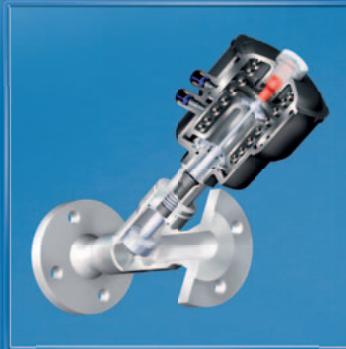
**NEW**  
from ARI!



Gunmetal, screwed socket connection



Stainless steel, butt weld ends



Stainless steel, flanged



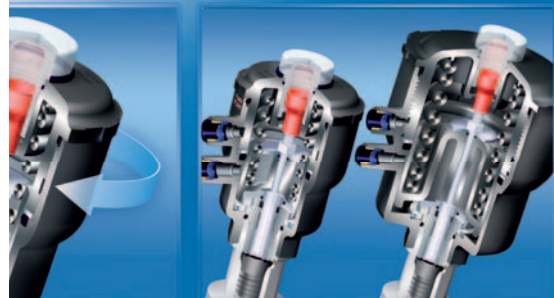
Stainless steel, clamp connection



Technology for the future.  
GERMAN QUALITY VALVES



Components



...ing because  
...ontrol fluid can

Pneumatic piston actuators made of polyamide (containing glass fibre) – available as ATG 50 or ATG 80.

The new Y-pattern process valve: For cooling water, warm water, hot water, air, oils, water vapour, neutral gas

# STEVI® AS

## Unbeatable power: Up to Up to 31% energy saving –



### Powerful:

- Stays reliably tight for up to 1,000,000 strokes due to the superior, self-adjusting stem sealing system (spring loaded PTFE-V-ring unit with PTFE-graphite seal, burnished stem with double bearing)
- Reliable even at high differential pressures in the system due to the use of three different spring strengths as standard (up to DN 40 - 6, 10 and 16 bar / DN 50 - 6 and 10 bar)!
- Water hammer reduced to a minimum due to the damped closing function (valve closes against the flow)
- Back-pressure-tight design (no need for a check valve)

### Economical:

- Up to 31% energy saving\* due to the excellent flow values (flow-optimised Y-pattern body and large strokes)
- Increased durability due to the burnished stem

### Convenient handling:

- Control line connected quickly and easily (no screw joint required for compressed air)
- Actuator can be turned 360°
- Spring loaded PTFE-V-ring unit
- Optical position indicator as standard

### Reliable:

- No leakage can occur from the valve due to the superior, spring loaded PTFE-V-ring unit and the tight seal on closing due to the plug with PTFE soft sealing

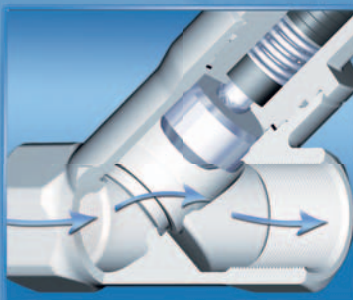
### Versatile:

- Bidirectional approach flow
- Spring to close, spring to open or double-acting actuator
- Actuator ambient temperature: -10°C to +70°C
- Optional: Comprehensive range of accessories, e.g. travel limiter, limit switch (inductive / mechanical), lever for emergency operation, 3/2-way solenoid valve or NAMUR adapter plate

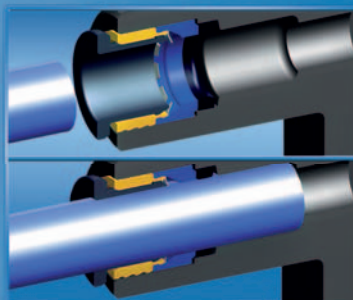
\*Compared to typical values recorded in practice



1. Stays reliably tight for up to 1,000,000 strokes due to the superior, self-adjusting stem sealing system.



2. Up to 31% energy saving\* due to the excellent flow values.



3. Convenient handling due to the quick and easy connection of the control line.



4. Back pressure-tight design (insensitive to back pressure).

# 1,000,000 strokes – Convenient handling!

## Even greater versatility for...

### Media:

- Cooling water down to -10°C, warm water, hot water, air, oils, water vapour, neutral gases, bases, alcohols, contaminated media, nitrogen, glycol. etc. ...

### Processes:

- Process control, heating and cooling, metering, flushing, water and steam systems, chemical processes, etc. ...

### Applications in mechanical engineering and plant construction:

- Food and beverages, textiles, printing, paper and pulp, chemicals, pharmaceuticals, etc. ...

### Systems:

- Dyeing, cleaning and filling plants, washing systems, packaging machines, water treatment plants, sterile air conditioning, filtration systems, mixing systems, pasteurising, distilling and brewing plants, compressors, vacuum technology, metering and dairy machines, pneumatic conveyors, etc. ...

### Material:

- Stainless steel 1.4408 / red brass CC491K
- Actuator material: Polyamide (containing glass fibre)

### Nominal diameter:

- DN 15 to 50

### Temperature:

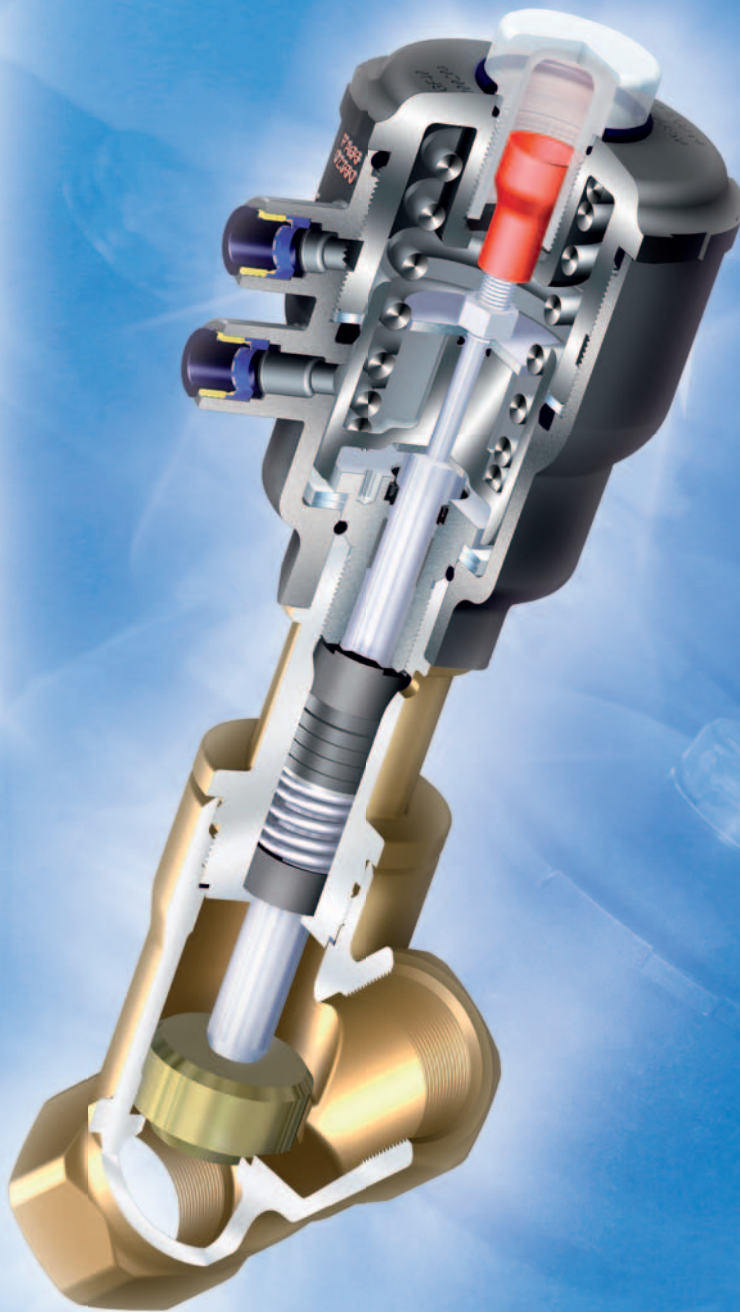
- -10°C to +180°C

### Plug seal:

- PTFE / FPM

### Type of connection:

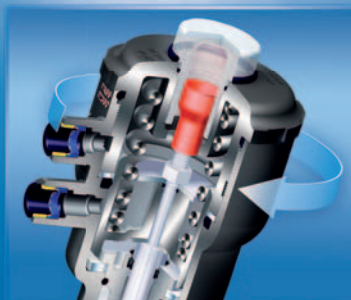
- Screwed socket, flanged, butt weld ends (DIN/ISO), clamp



5. Reliable even at high differential pressures due to the use of three different spring strengths as standard.



6. High versatility due to the bidirectional approach flow to the plug.

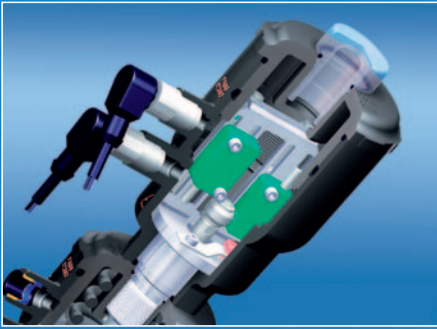


7. Convenient handling because the port for the control fluid can be turned 360°.

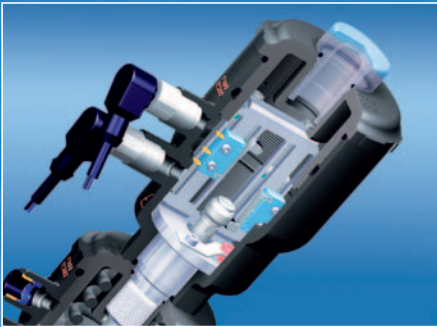


Pneumatic piston actuators made of polyamide (containing fiberglass) – available as ATG 50 or ATG 80.

## Greater flexibility due to optional components:



Limit switch (inductive)



Limit switch (mechanical)



Handwheel for emergency operation



NAMUR adapter plate



Travel limiter

New from ARI! The Y-pattern process valve: Up to 31% energy saving – Excellent value for money – Convenient handling – Reliable even at high differential pressures:

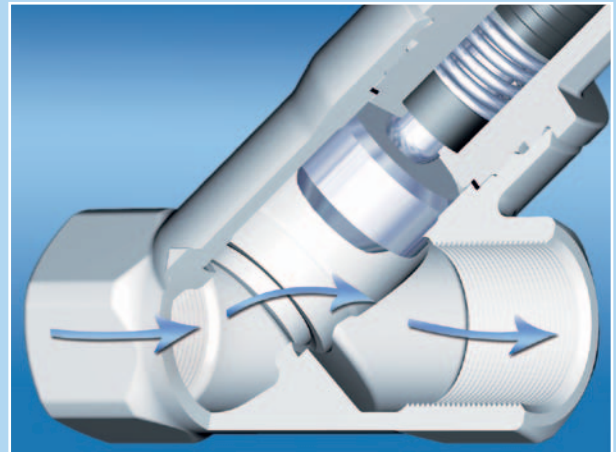
# STEVI® AS

Stays tight for up to **1,000,000** strokes!



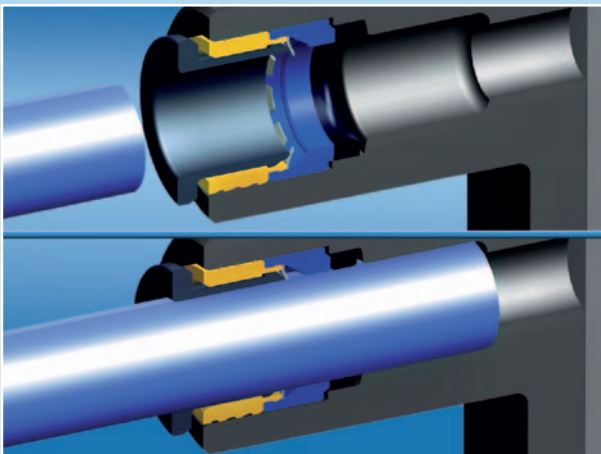
### 1. Powerful:

Stays reliably tight for up to 1,000,000 strokes due to the superior, self-adjusting stem sealing system (V-ring unit, burnished stem with double bearing).



### 2. Economical:

Up to 31% energy saving\* due to the excellent flow values.



### 3. Convenient Handling:

Control line connected quickly and easily. No screw joint required for compressed air due to the plug-in connection.



### 4. Versatile:

Greater flexibility due to the comprehensive range of accessories: limit switch, travel limiter, lever for emergency operation, 3/2-way NAMUR solenoid valve, incl. adapter plate (photo).

\*Compared to typical values recorded in practice